

Technical data sheet

Product features



Pasta cooker drop-in electric 25 l without cabinet 400 V

Model	SAP Code	00007475
--------------	-----------------	----------



- Basin volume [l]: 25
- Water inlet: mechanical tap
- Drain type: Through the substructure with connection to waste
- Drain: Yes
- Material: Stainless steel
- Protection of controls: IPX5
- Maximum device temperature [°C]: 110
- Number of baskets: 0

SAP Code	00007475	Width of internal part [mm]	305
Net Width [mm]	400	Depth of internal part [mm]	510
Net Depth [mm]	600	Height of internal part [mm]	165
Net Height [mm]	510	Number of baskets	0
Net Weight [kg]	32.00	Number of GN / EN	1
Power electric [kW]	7.800	GN / EN size in device	GN 2/3
Loading	400 V / 3N - 50 Hz	GN device depth	220
Basin volume [l]	25		

Technical data sheet

Technical drawing

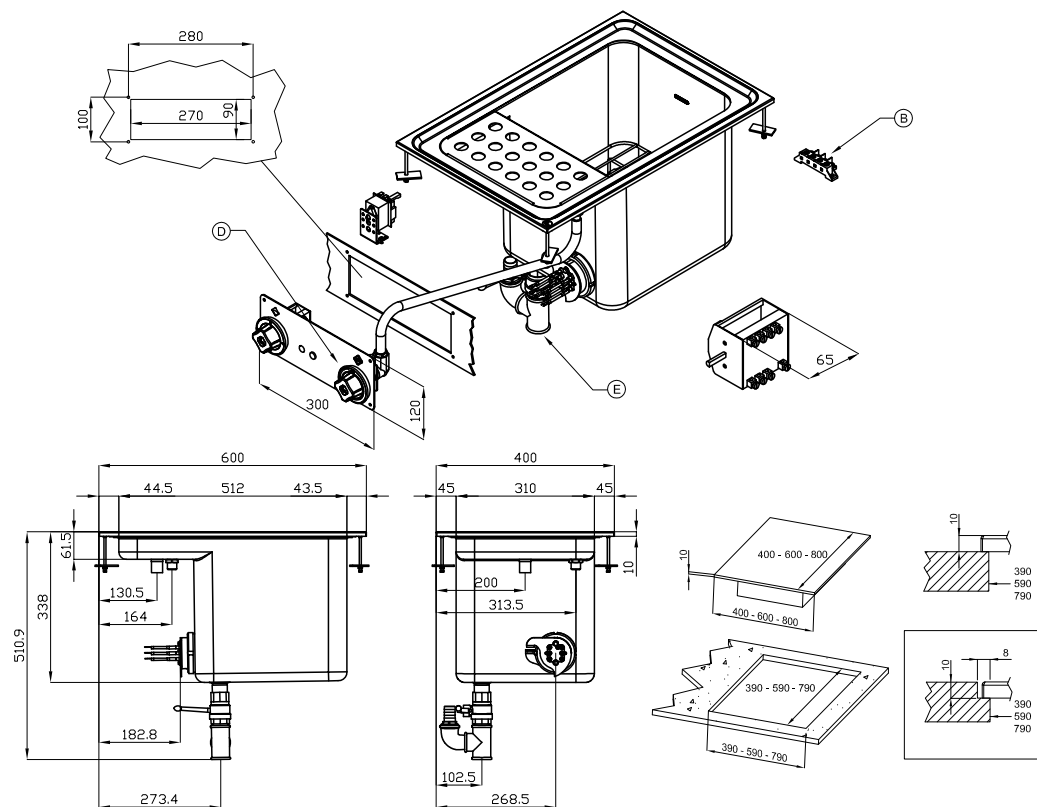


Pasta cooker drop-in electric 25 l without cabinet 400 V

Model

SAP Code

00007475



A	Data plate		B	Electrical connection	
D	Cold water connection	ISO 7-1 1/2" F	E	Water drainage	ISO 7-1 1" F

Technical data sheet

Product benefits



Pasta cooker drop-in electric 25 l without cabinet 400 V

Model

SAP Code

00007475

1

All-stainless steel bathtub

long life
resistance of AISI 304 stainless steel material
the material does not cut

- savings on service interventions
- easier and faster operation

2

Degree of protection of the control elements IPX5

maintenance-free system
resistance to splash water
long life

- savings on service interventions
- easy cleaning and maintenance of equipment

3

Outlet to a removable collector in the substructure

outlet of the bath into the prepared container

- easy and safe handling

4

Micro switch

microswitch preventing the device from running when there is no water in the bath

- prevents destruction of the equipment by overheating

5

Rotating heating element

microswitch preventing the device from running when there is no water in the bath

- effective cleaning when the body is tipped out
- easy access even to corners and time saving

Technical data sheet

Technical parameters



Pasta cooker drop-in electric 25 l without cabinet 400 V

Model	SAP Code	00007475
-------	----------	----------

1. SAP Code:

00007475

2. Net Width [mm]:

400

3. Net Depth [mm]:

600

4. Net Height [mm]:

510

5. Net Weight [kg]:

32.00

6. Gross Width [mm]:

630

7. Gross depth [mm]:

690

8. Gross Height [mm]:

540

9. Gross Weight [kg]:

38.00

10. Device type:

Electric unit

11. Construction type of device:

Drop-in

12. Power electric [kW]:

7.800

13. Loading:

400 V / 3N - 50 Hz

14. Protection of controls:

IPX5

15. Material:

Stainless steel

16. Indicators:

operation and warm-up

17. Drain valve diameter:

1"

18. Worktop type:

Molded - comfortable cleaning maintenance

19. Basin volume [l]:

25

20. Basin dimensions [mm x mm x mm]:

305 x 335 x 327

21. Maximum device temperature [°C]:

110

22. Minimum device temperature [°C]:

30

23. Power control type:

knob control

24. Service accessibility:

Trough the frontal panel

25. Safety element:

safety thermostat
microswitch preventing the device from running when there is no water in the bath
overflow channel

26. Safety thermostat:

Yes

Technical data sheet

Technical parameters



Pasta cooker drop-in electric 25 l without cabinet 400 V

Model

SAP Code

00007475

27. Additional information:

basket not included - baskets in different sizes can be purchased

28. Number of baskets:

0

29. Number of basins:

1

30. Basin material:

AISI 316 - Stainless steel highly resistant to salt water

31. Heating element construction:

Swivel

32. Water inlet:

mechanical tap

33. Drain type:

Through the substructure with connection to waste

34. Drain:

Yes

35. Number of GN / EN:

1

36. GN / EN size in device:

GN 2/3

37. GN device depth:

220

38. Drain connection:

Yes

39. Heating location:

Inside the tank

40. Width of internal part [mm]:

305

41. Depth of internal part [mm]:

510

42. Height of internal part [mm]:

165

43. Cross-section of conductors CU [mm²]:

1,5

- Výkon (kW): 5-5,7 (230 V); 8,7-9,8 (400 V)